

Rendex[®]

LIGHTWEIGHT FENCING

CATALOGUE AND
PRODUCT SPECIFICATION

PWS
Prestige Wall Systems

VERSION 01.2019





Rendex[®] LIGHTWEIGHT MODULAR FENCING

The Rendex[®] Lightweight Modular Fencing system is a product with masonry looks, great design flexibility and lightweight construction.

Flexibility in design permits fences up to 2.4m high (STCC), the incorporation of fence piers and allowance for decorative panels.

Rendex[®] Lightweight Modular Fencing System components are made from polystyrene, coated with polymer modified render and reinforced with alkaline resistant fibreglass mesh.

The Rendex[®] Lightweight Modular Fencing system is easy to install and consists of Rendex[®] Fencing Panels, Pier, Caps and Capping. Standard Panels are 2.4m x 1.2m (150+ mm thick) with rebate, to suit a 75x75mm steel post. For engineering data and 'Certificate of Compliance' contact PWS.

- Easy to install
- Durable and Strong
- Impervious to rotting
- Aesthetically pleasing
- Great design flexibility
- Lightweight

+ For more information call PWS
on 1300 663 118

www.rendex.com.au

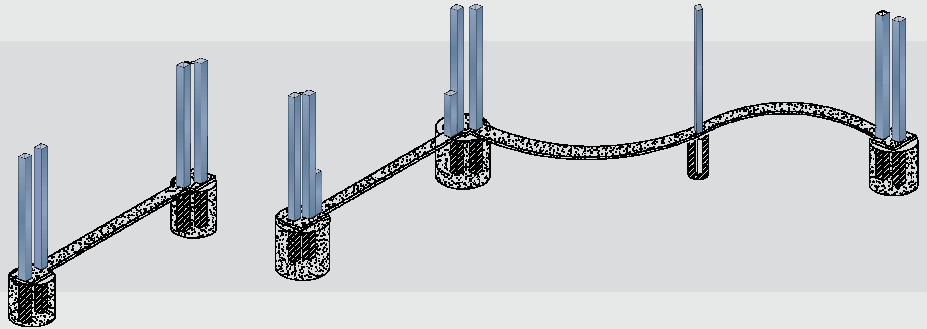
www.prestigewallsystems.com.au



INSTALLATION PROCESS

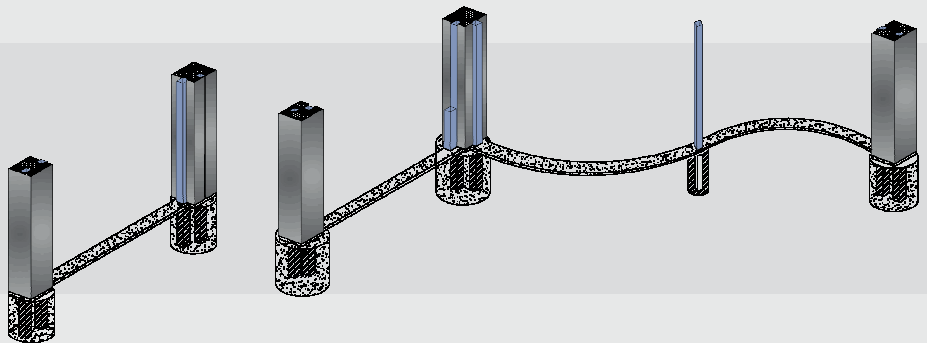
STEP 1

Installation of galvanised steel posts as per plan - concreted into the ground, followed by concrete plinth - 2.4m centres for standard Rendex® Fencing Panel.



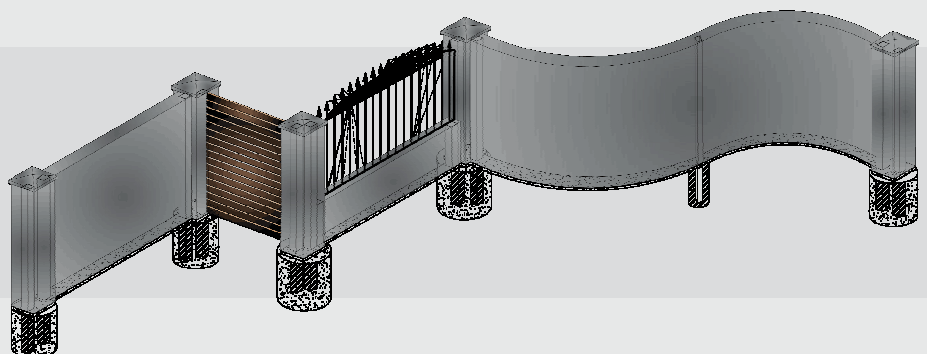
STEP 2

Installation of Fence Piers- insert prefabricated columns over the preinstalled steel posts



STEP 3

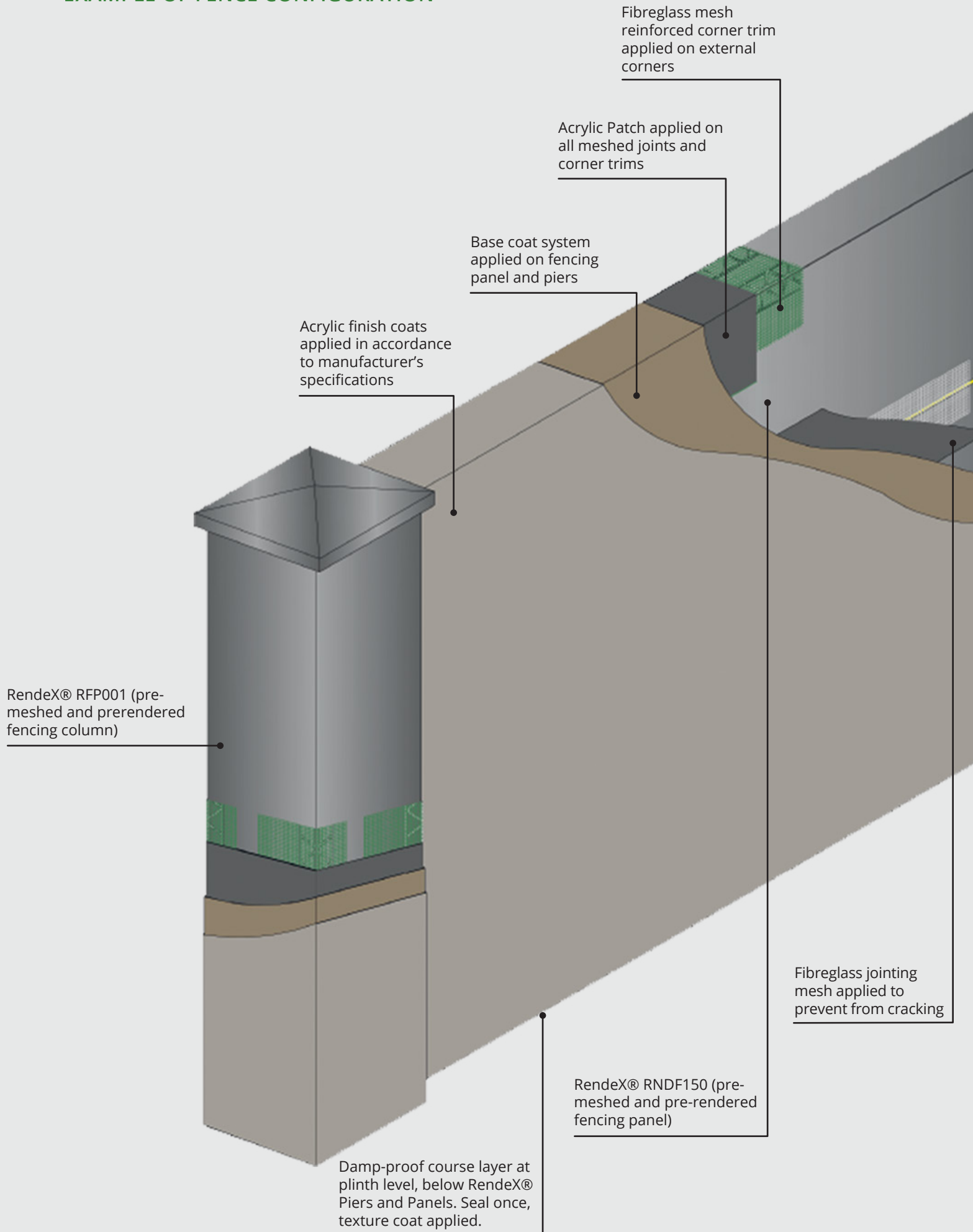
Insert fence panels and apply expanding foam into the cavity between the rebate and steel posts as well as all joints

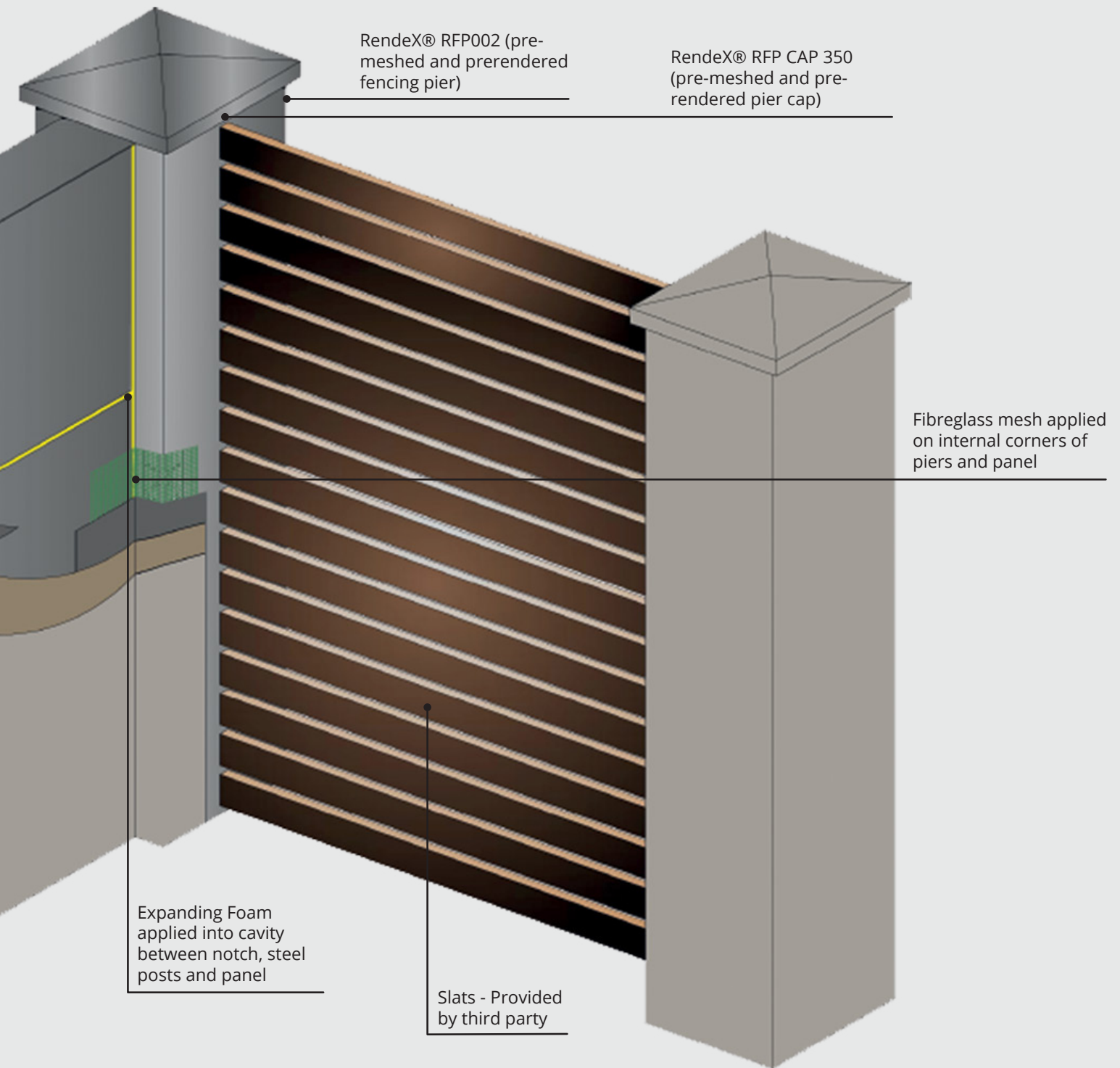


STEP 4

Make allowance for expansion joints, apply meshed corner beads to all external corners, tape all joints and internal corners, patch render, texture, install caps and cappings. Then paint to finish. Seal between bottom of finished fence and concrete footings and plinths.

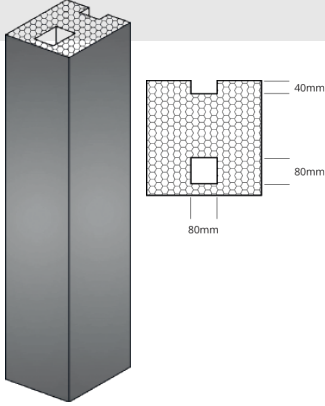
EXAMPLE OF FENCE CONFIGURATION



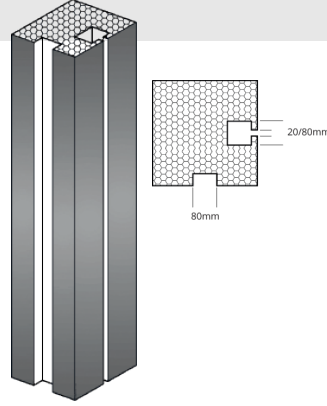


Fence Piers

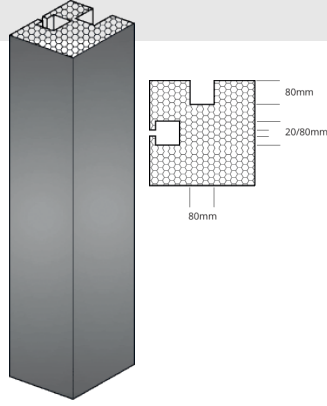
RFP001 Base 300mm
Height 1800mm up
to 2400mm



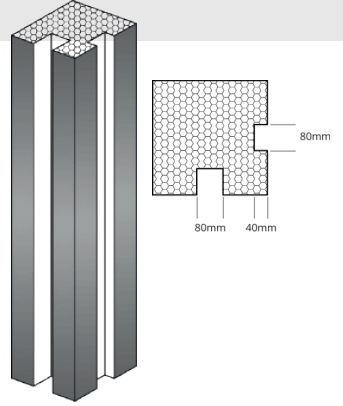
RFP002 Base 300mm
Height 1800mm up
to 2400mm



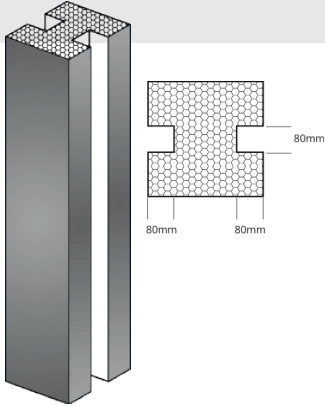
RFP003 Base 300mm
Height 1800mm up
to 2400mm



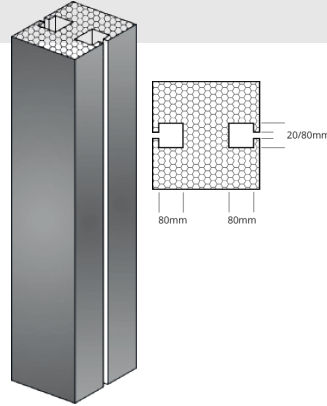
RFP004 Base 300mm
Height 1800mm up
to 2400mm



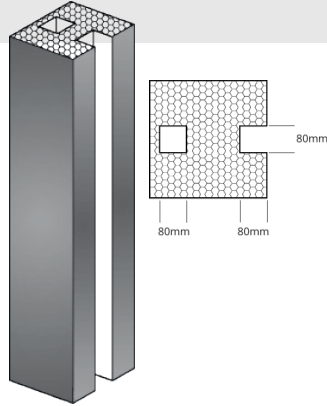
RFP005 Base 300mm
Height 1800mm up
to 2400mm



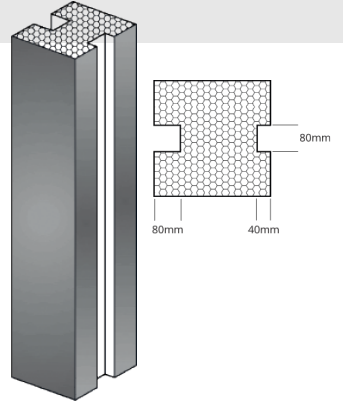
RFP006 Base 300mm
Height 1800mm up
to 2400mm



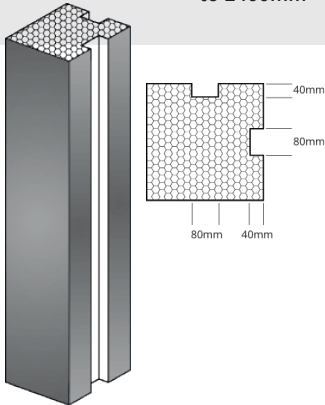
RFP007 Base 300mm
Height 1800mm up
to 2400mm



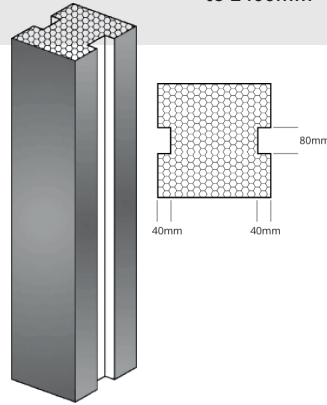
RFP008 Base 300mm
Height 1800mm up
to 2400mm



RFP009 Base 300mm
Height 1800mm up
to 2400mm

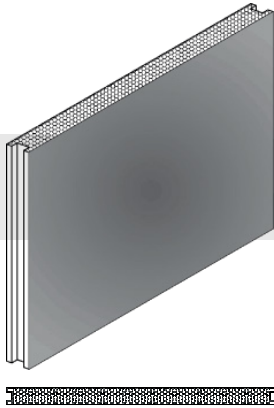


RFP010 Base 300mm
Height 1800mm up
to 2400mm

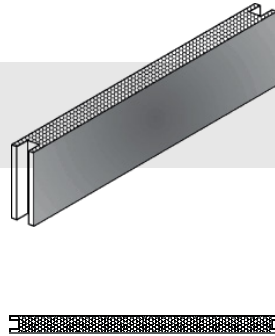


Alternative cross-section piers
are available on inquiry.

Fence Panel



RNDF150 Thickness 150mm
Height 1200mm
Length 2400mm
Rebate *width* 80mm
depth 40mm

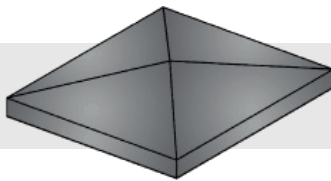


RNDF_CUSTOM Thickness 150-300mm
Height 1200-2400mm
Length 2400-3000mm
Rebate *width* 80mm
depth 40-80mm

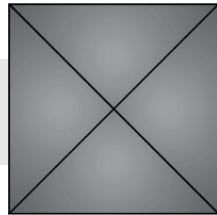


RNDF_CUSTOM_CUR/COR Thickness 150-300mm
Height 1200-2400mm
Length 2400-3000mm
Rebate *width* 80mm
depth 40-80mm
Radius/Corner Any

Pier Caps



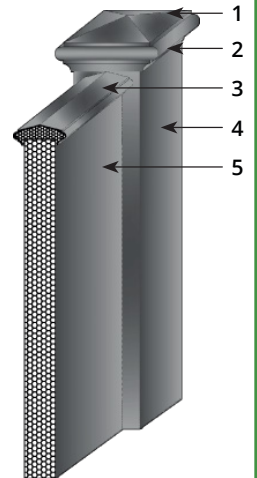
RFP CAP 350
Base 350mm



Combination and additional design options with MouldeX® Lightweight Architectural Mouldings.

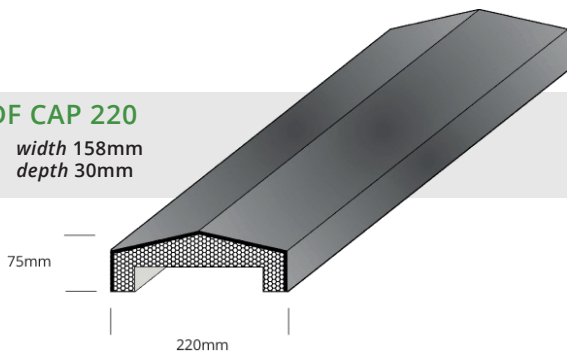
MouldeX® Mouldings are available from PWS. Profiles and Information on website www.rendex.com.au

1. Cap (RFP CAP 350)
2. Moulding (PWC 086)
3. Capping (RNDF CAP 270)
4. Column (RFP001)
5. Fence Panel (RNDF150)

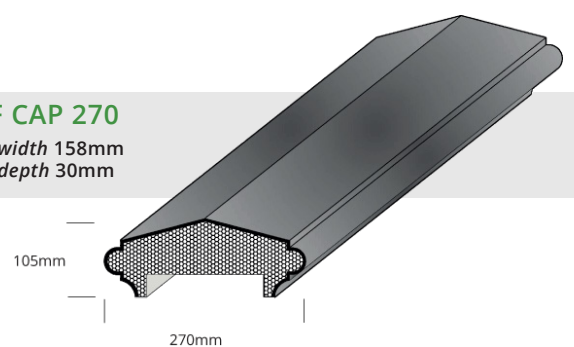


Fence Panel Cappings

RNDF CAP 220
Rebate *width* 158mm
depth 30mm



RNDF CAP 270
Rebate *width* 158mm
depth 30mm



www.rendex.com.au

OUR BRANDS

Rendex® Mouldex®
KEYSTONE INDUSTRIES™



ADDRESS

Victoria
Unit 5B, 1764 Sydney Road
Campbellfield VIC 3061

New South Wales
6/376 Newbridge Road
Moorebank NSW 2170

South Australia
24 Humphries Terrace
Kilkenny SA 5009

CONTACT

National 1300 663 118
Campbellfield 03 9357 7316
Moorebank 02 9725 1915
Kilkenny 08 8244 1999



AUSTRALIAN OWNED AND MADE
Australia Wide Delivery

© Copyright Prestige Wall Systems 2019.