

INSULFOAM

SUBFLOOR INSULATION SYSTEM

INSTALLATION INSTRUCTIONS

ELECTRIC CABLES AND FITTINGS

INSULFOAM must not come into contact with any unprotected electrical cabling. If required, protect cables with rigid PVC conduits, or paper-based tape. All electrical fittings must also be provided with a 150mm gap from any INSULFOAM.

Note: Flexible PVC cables will deteriorate if they remain in contact with polystyrene for extended periods of time.



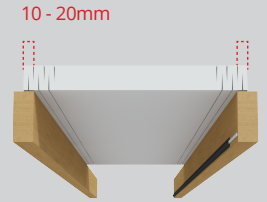
protected cabling

1

MEASURE AND CUT

Width: measure between the floor joists and add 10-20mm (for compression of the INSULFOAM panel).

Length: add 2mm to any measurement, to ensure snug fit. Cut: trim concertina edges and/or length using a sharp knife or handsaw.

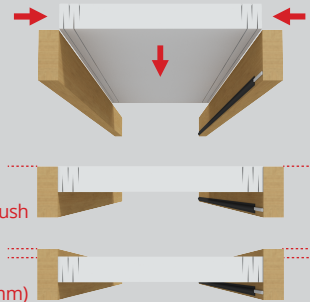


2

INSTALLATION TO NEW BUILDS

Compress the sides of INSULFOAM and squeeze between the floor joists from above, just prior to installing the flooring. Ensure a snug fit, as this optimises insulation performance.

An increased R value can be achieved by creating a 15mm cavity between INSULFOAM and the flooring.



3

INSTALLATION TO EXISTING BUILDS

Compress the sides of INSULFOAM and squeeze between the floor joists from below. Ensure a snug fit, as this optimises insulation performance.

An increased R value can be achieved by creating a 15mm cavity between INSULFOAM and the flooring.

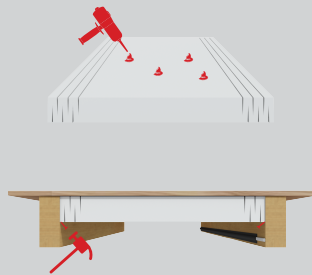


4

ADDITIONAL SUPPORT

In most situations, INSULFOAM will be self-supporting however, if INSULFOAM will be exposed to strong air movements under the floor e.g. built on stilts, added support may be required.

This can be achieved by using a polystyrene compatible adhesive (refer RendeX® for recommendations) between INSULFOAM and the flooring (or joists) or skewed nails into the joists.

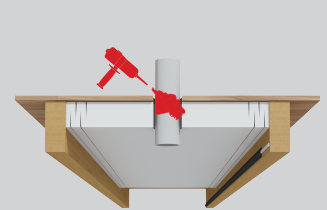


5

SEALING

To further optimise thermal efficiency, apply expanding foam to all gaps around plumbing and other ducting penetration.

Note: Gaps around electrical fittings MUST NOT be filled.



6

SPECIFICATIONS

INSULFOAM panel size: 1,220mm x 420mm

INSULFOAM panel thicknesses: 50mm, 75mm and 90mm

EPS grade: SL, fire retarded expanded polystyrene

Thermal Insulation: up to R2.3 additional

SDS: available from www.rendex.com.au

ADDRESSES

Victoria

Unit 5B, 1764 Sydney Road
Campbellfield VIC 3061

New South Wales

6/376 Newbridge Road
Moorebank NSW 2170

South Australia

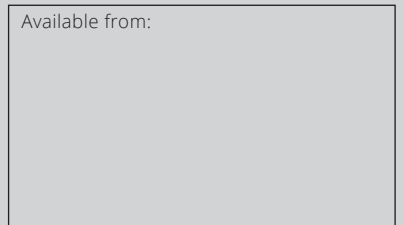
24 Humphries Terrace
Kilkenny SA 5009

CONTACT

www.rendex.com.au
sales@rendex.com.au

National **1300 663 118**
Campbellfield **03 9357 7316**
Moorebank **02 9725 1915**
Kilkenny **08 8244 1999**

Available from:



INSULFOAM

50MM | SUBFLOOR INSULATION SYSTEM

INSTALLATION INSTRUCTIONS

ELECTRIC CABLES AND FITTINGS

INSULFOAM must not come into contact with any unprotected electrical cabling. If required, protect cables with rigid PVC conduits, or paper-based tape. All electrical fittings must also be provided with a 150mm gap from any INSULFOAM.

Note: Flexible PVC cables will deteriorate if they remain in contact with polystyrene for extended periods of time.



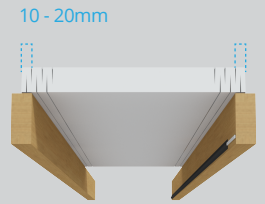
protected cabling

1

MEASURE AND CUT

Width: measure between the floor joists and add 10-20mm (for compression of the INSULFOAM panel).

Length: add 2mm to any measurement, to ensure snug fit. Cut: trim concertina edges and/or length using a sharp knife or handsaw.

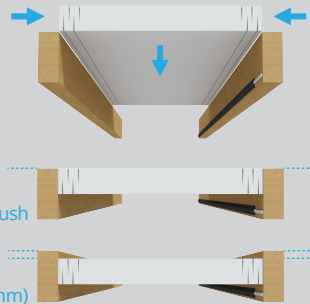


2

INSTALLATION TO NEW BUILDS

Compress the sides of INSULFOAM and squeeze between the floor joists from above, just prior to installing the flooring. Ensure a snug fit, as this optimises insulation performance.

An increased R value can be achieved by creating a 15mm cavity between INSULFOAM and the flooring.



3

INSTALLATION TO EXISTING BUILDS

Compress the sides of INSULFOAM and squeeze between the floor joists from below. Ensure a snug fit, as this optimises insulation performance.

An increased R value can be achieved by creating a 15mm cavity between INSULFOAM and the flooring.

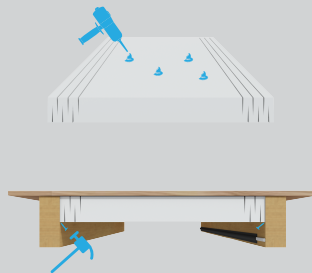


4

ADDITIONAL SUPPORT

In most situations, INSULFOAM will be self-supporting however, if INSULFOAM will be exposed to strong air movements under the floor e.g. built on stilts, added support may be required.

This can be achieved by using a polystyrene compatible adhesive (refer RendeX® for recommendations) between INSULFOAM and the flooring (or joists) or skewed nails into the joists.

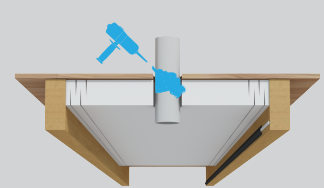


5

SEALING

To further optimise thermal efficiency, apply expanding foam to all gaps around plumbing and other ducting penetration.

Note: Gaps around electrical fittings MUST NOT be filled.



6

SPECIFICATIONS

INSULFOAM panel size: 1,220mm x 420mm

INSULFOAM panel thickness: 50mm

EPS grade: SL, fire retarded expanded polystyrene

Thermal Insulation: up to R2.3 additional

SDS: available from www.rendex.com.au

ADDRESSES

Victoria

Unit 5B, 1764 Sydney Road
Campbellfield VIC 3061

New South Wales

6/376 Newbridge Road
Moorebank NSW 2170

South Australia

24 Humphries Terrace
Kilkenny SA 5009

CONTACT

www.rendex.com.au

sales@rendex.com.au

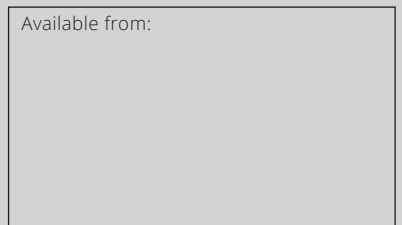
National **1300 663 118**

Campbellfield **03 9357 7316**

Moorebank **02 9725 1915**

Kilkenny **08 8244 1999**

Available from:



INSULFOAM

75MM | SUBFLOOR INSULATION SYSTEM

INSTALLATION INSTRUCTIONS

ELECTRIC CABLES AND FITTINGS

INSULFOAM must not come into contact with any unprotected electrical cabling. If required, protect cables with rigid PVC conduits, or paper-based tape. All electrical fittings must also be provided with a 150mm gap from any INSULFOAM.

Note: Flexible PVC cables will deteriorate if they remain in contact with polystyrene for extended periods of time.



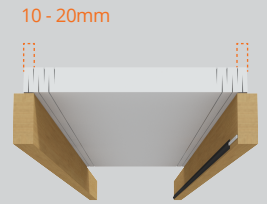
protected cabling

1

MEASURE AND CUT

Width: measure between the floor joists and add 10-20mm (for compression of the INSULFOAM panel).

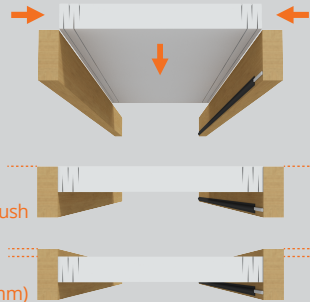
Length: add 2mm to any measurement, to ensure snug fit. Cut: trim concertina edges and/or length using a sharp knife or handsaw.



2

INSTALLATION TO NEW BUILDS

Compress the sides of INSULFOAM and squeeze between the floor joists from above, just prior to installing the flooring. Ensure a snug fit, as this optimises insulation performance. An increased R value can be achieved by creating a 15mm cavity between INSULFOAM and the flooring.



3

INSTALLATION TO EXISTING BUILDS

Compress the sides of INSULFOAM and squeeze between the floor joists from below. Ensure a snug fit, as this optimises insulation performance. An increased R value can be achieved by creating a 15mm cavity between INSULFOAM and the flooring.

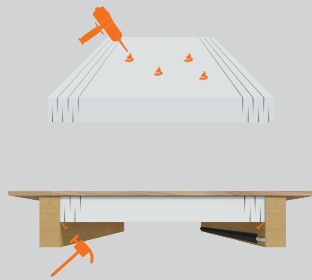


4

ADDITIONAL SUPPORT

In most situations, INSULFOAM will be self-supporting however, if INSULFOAM will be exposed to strong air movements under the floor e.g. built on stilts, added support may be required.

This can be achieved by using a polystyrene compatible adhesive (refer RendeX® for recommendations) between INSULFOAM and the flooring (or joists) or skewed nails into the joists.

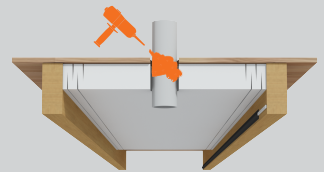


5

SEALING

To further optimise thermal efficiency, apply expanding foam to all gaps around plumbing and other ducting penetration.

Note: Gaps around electrical fittings MUST NOT be filled.



6

SPECIFICATIONS

INSULFOAM panel size: 1,220mm x 420mm

INSULFOAM panel thickness: 75mm

EPS grade: SL, fire retarded expanded polystyrene

Thermal Insulation: up to R2.3 additional

SDS: available from www.rendex.com.au

ADDRESSES

Victoria

Unit 5B, 1764 Sydney Road
Campbellfield VIC 3061

New South Wales

6/376 Newbridge Road
Moorebank NSW 2170

South Australia

24 Humphries Terrace
Kilkenny SA 5009

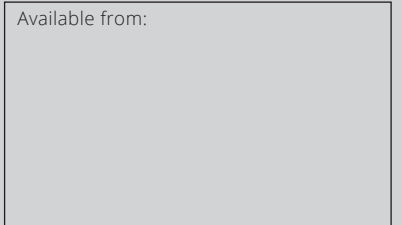
CONTACT

www.rendex.com.au

sales@rendex.com.au

National **1300 663 118**
Campbellfield **03 9357 7316**
Moorebank **02 9725 1915**
Kilkenny **08 8244 1999**

Available from:



INSULFOAM

90MM | SUBFLOOR INSULATION SYSTEM

INSTALLATION INSTRUCTIONS

ELECTRIC CABLES AND FITTINGS

INSULFOAM must not come into contact with any unprotected electrical cabling. If required, protect cables with rigid PVC conduits, or paper-based tape. All electrical fittings must also be provided with a 150mm gap from any INSULFOAM.

Note: Flexible PVC cables will deteriorate if they remain in contact with polystyrene for extended periods of time.



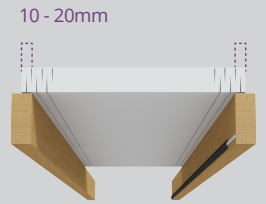
protected cabling

1

MEASURE AND CUT

Width: measure between the floor joists and add 10-20mm (for compression of the INSULFOAM panel).

Length: add 2mm to any measurement, to ensure snug fit. Cut: trim concertina edges and/or length using a sharp knife or handsaw.

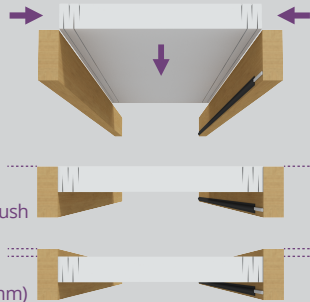


2

INSTALLATION TO NEW BUILDS

Compress the sides of INSULFOAM and squeeze between the floor joists from above, just prior to installing the flooring. Ensure a snug fit, as this optimises insulation performance.

An increased R value can be achieved by creating a 15mm cavity between INSULFOAM and the flooring.



flush

optional cavity (15mm)

3

INSTALLATION TO EXISTING BUILDS

Compress the sides of INSULFOAM and squeeze between the floor joists from below. Ensure a snug fit, as this optimises insulation performance.

An increased R value can be achieved by creating a 15mm cavity between INSULFOAM and the flooring.

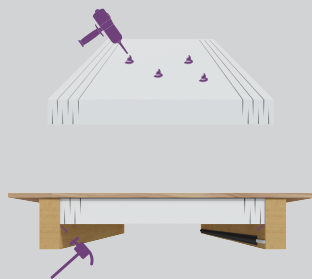


4

ADDITIONAL SUPPORT

In most situations, INSULFOAM will be self-supporting however, if INSULFOAM will be exposed to strong air movements under the floor e.g. built on stilts, added support may be required.

This can be achieved by using a polystyrene compatible adhesive (refer RendeX® for recommendations) between INSULFOAM and the flooring (or joists) or skewed nails into the joists.

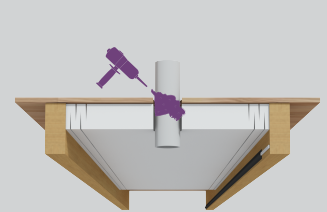


5

SEALING

To further optimise thermal efficiency, apply expanding foam to all gaps around plumbing and other ducting penetration.

Note: Gaps around electrical fittings MUST NOT be filled.



6

SPECIFICATIONS

INSULFOAM panel size: 1,220mm x 420mm

INSULFOAM panel thickness: 90mm

EPS grade: SL, fire retarded expanded polystyrene

Thermal Insulation: up to R2.3 additional

SDS: available from www.rendex.com.au

ADDRESSES

Victoria

Unit 5B, 1764 Sydney Road
Campbellfield VIC 3061

New South Wales

6/376 Newbridge Road
Moorebank NSW 2170

South Australia

24 Humphries Terrace
Kilkenny SA 5009

CONTACT

www.rendex.com.au

sales@rendex.com.au

National **1300 663 118**
Campbellfield **03 9357 7316**
Moorebank **02 9725 1915**
Kilkenny **08 8244 1999**

Available from:

